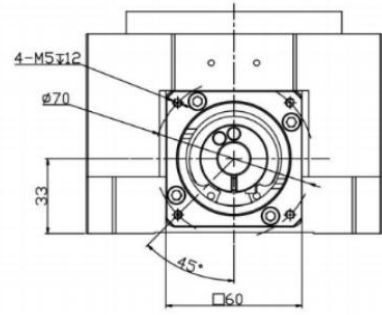
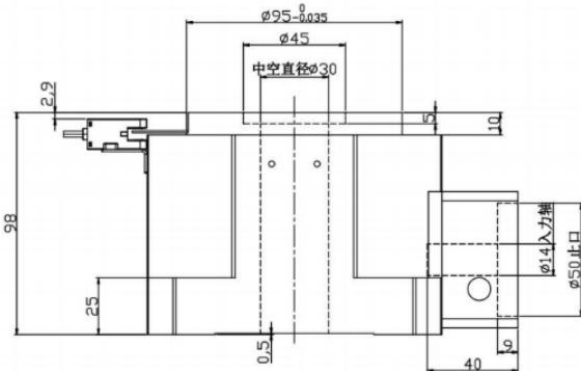
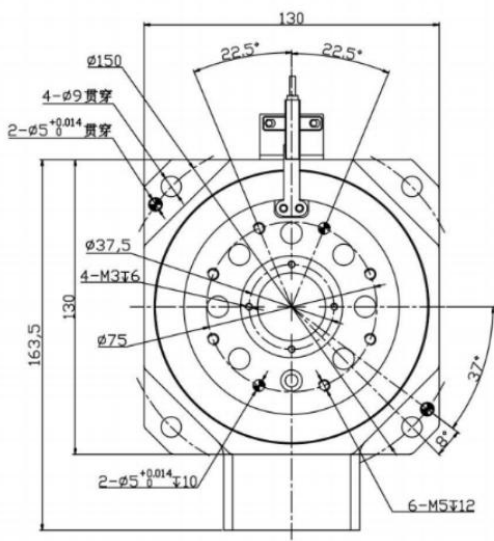


Specifications	structural form	reduction ratio	Motor specifications
SHM 130		L1	V1
130 180 225 260	None: Standard type P: Planetary style	L1:15/21/30 L2:60/75/ 105/120/ 150/210/ 300	V1:servo \varnothing 14 PCD70, M4 V2:servo \varnothing 14 PCD70, M5
Compatible with 200-400W AC motors from various brands			
Stepper motor interface 57-60 type stepper motor			



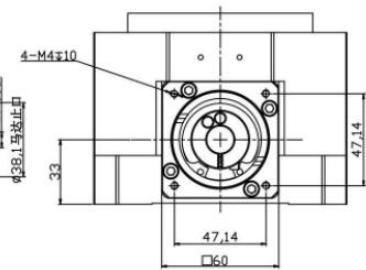
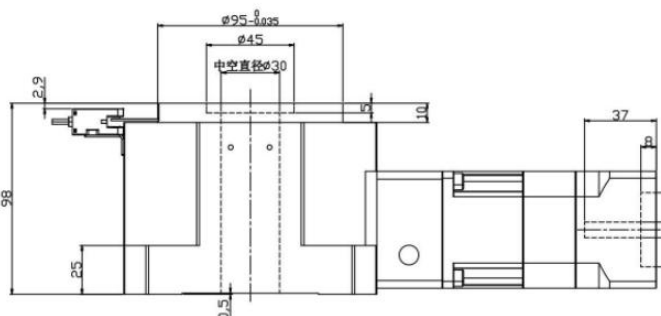
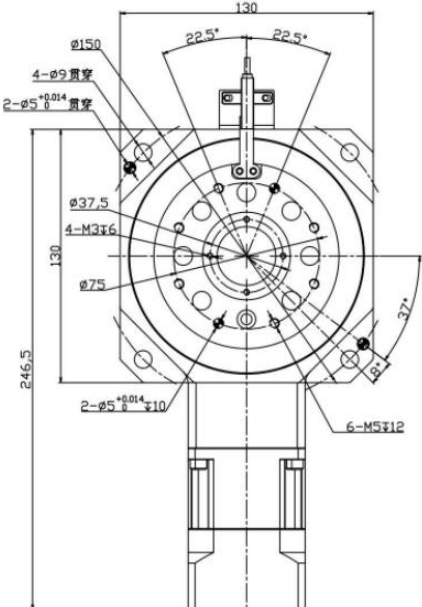
◆ SHM130-L1

伺服接口



◆ SHM130-L2

步进接口



Specifications structural form reduction ratio Motor specifications

SHM

225

L1

V1

130

180

225

260

None: Standard type

P: Planetary style

L1: 15/21/30

L2: 60/75/

105/120/

150/210/

300

V1: servo $\varnothing 22$ PCD145, M8

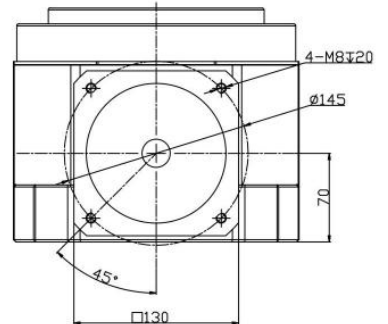
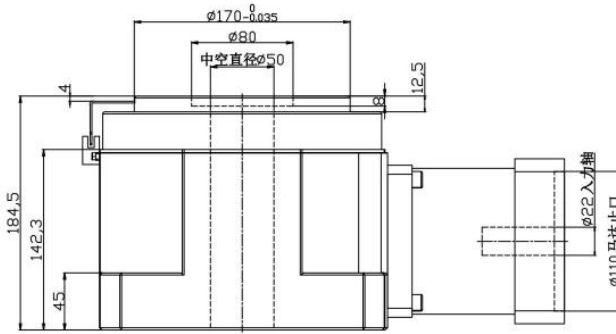
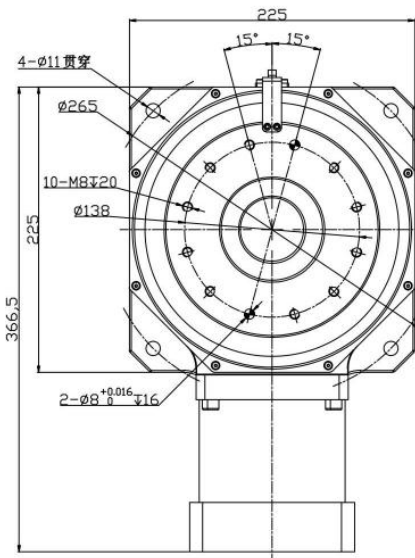
V2: servo $\varnothing 24$ PCD145, M8

Compatible with 1000W AC motors from various brands



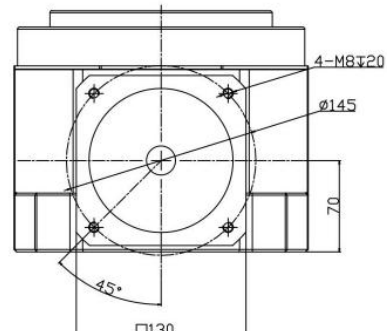
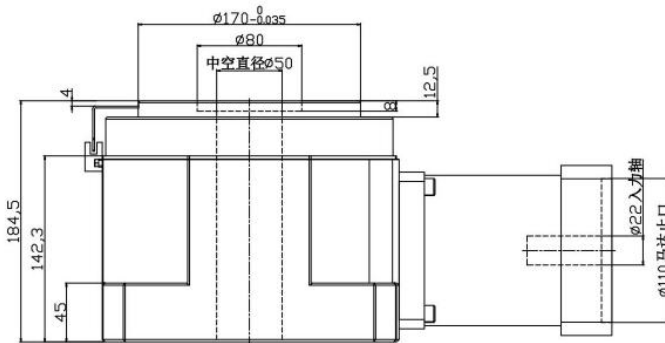
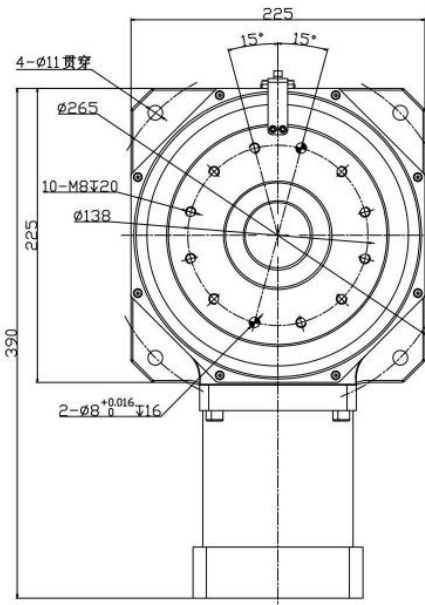
◆ SHM225-L1

伺服接口



◆ SHM225-L2

伺服接口



Specifications structural form reduction ratio Motor specifications

SHM

260

L1

Motor specifications

V1

130

180

225

260

None: Standard type

P: Planetary style

L1:15/21/30

L2:60/75/

105/120/

150/210/

300

V1: servo ø35 PCD200, M12

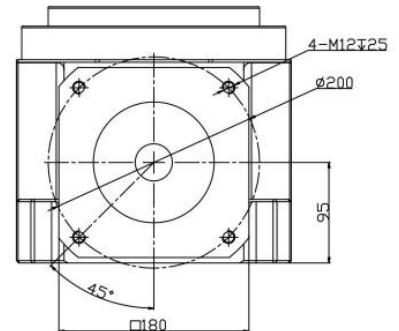
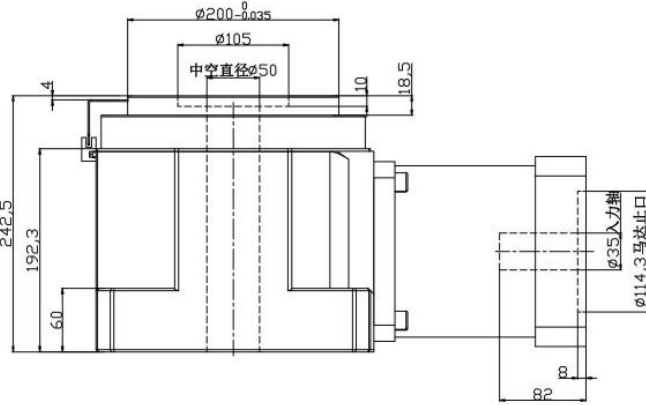
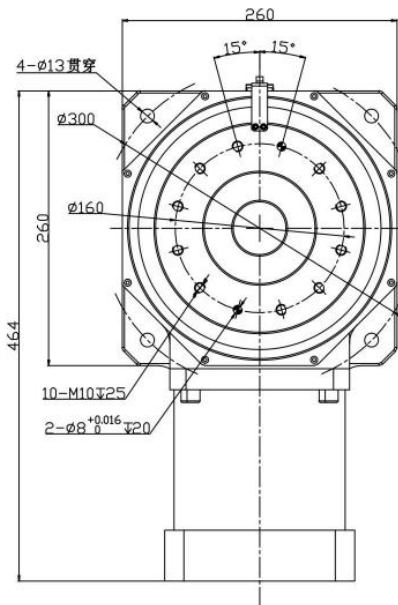
V2: servo ø35 PCD200, M12



Compatible with 3000-5000W AC motors from various brands

◆ SHM260-L1

伺服接口



◆ SHM260-L2

伺服接口

